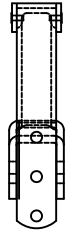
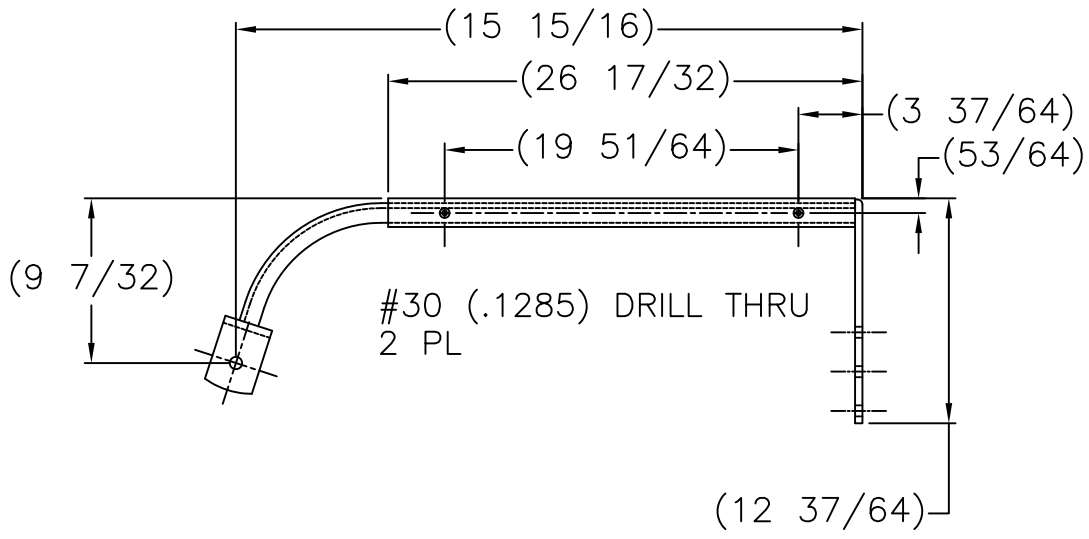
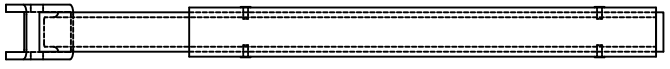


220340

REPLACEMENT PARTS LIST

ITEM	PART NO.	DESCRIPTION	QTY.
1	054216	STAIRGLIDE ASSEMBLY	2
2	108146	HEX HD CAP SCREW 1/4-20X1-3/4"	2
3	108929	HEX LOCK NUT 1/4-20 W/NYLOCK	1
4	108849	U BOLT 1/4-20X5/8" W/ NUTS/PLATE	1
5	108873	ACCESSORY KIT	1



STEEL STAIRGLIDE FOR COBRA-LITE

- Shipped with field installation kit.
- Pair of steel stairglides with wearstrip
- Boxed size: 14" x 2" x 30"

P/N 220340

Model S4K
Weight 6 lbs

THIS DRAWING IN ALL PARTICULARS IS WESCO INDUSTRIAL PRODUCTS INC. PROPERTY. ALL RIGHTS OF DESIGN, INVENTION OR USE OF ARE RESERVED.

R W S 02-26-13 NOTES UPDATED D	APP REV.	WESCO INDUSTRIAL PRODUCTS INC. NORTH WALES PENNA. 19454	
		PART NAME Steel Stairglide	
		TOLERANCE UNLESS OTHERWISE SPECIFIED FRACTION 3 PLACE DECIMAL 2 PLACE DECIMAL ± 1/64 ± .005 ± .01	
		ANGULAR ± 1-1/2" SHEET 1 OF 1 BREAK ALL SHARP EDGES AND REMOVE ALL BURRS	
		DRAWN: CHECKED: APP. ENGR.	SCALE: B- 220340
		REV.	D