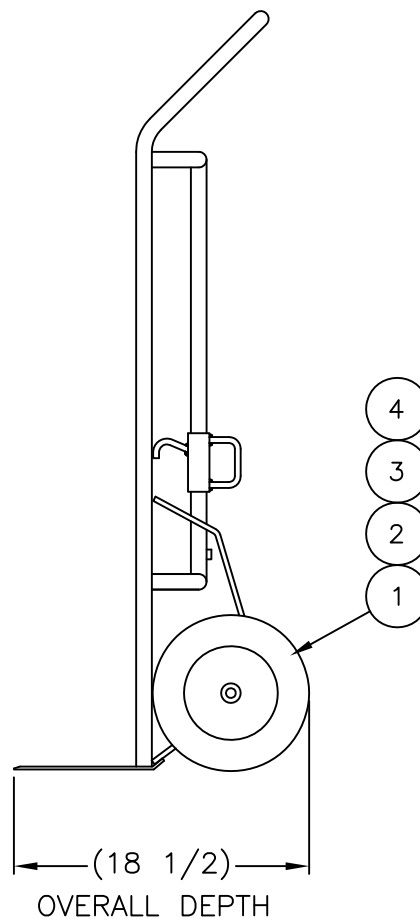
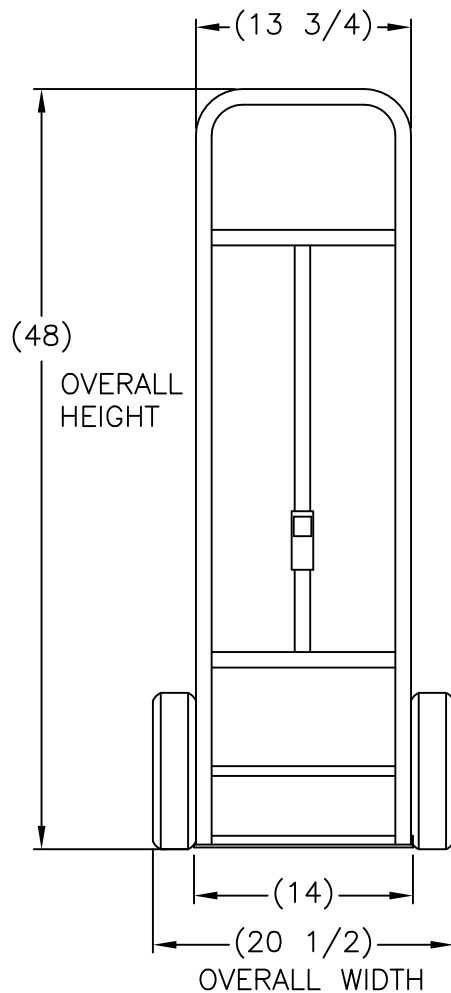


210340



REPLACEMENT PARTS LIST

ITEM	PART NO.	DESCRIPTION	QTY.
1	150589	'Z' WHEEL ($\phi 10 \times 2 \frac{3}{4}$)	2
2	100051	FLAT WASHER ($\frac{5}{8}$ SAE)	6
3	108219	COTTER PIN ($\frac{5}{32} \times 1$)	2
4	050052	AXLE "D" ($19 \frac{7}{8}$)	1

HEAVY DUTY HAND TRUCK

- Utility of a hand truck & drum truck.
- Chime hook works with 30/55 gallon drums.
- Curved frame holds 5 gallon pails and kegs.
- With noseplate resting flat on floor, $15\text{--}1\frac{1}{2}$ " to center of lowered chime hook.
- Made in USA

P/N 210340

Model 156DH-Z
 Weight 39 lbs
 Capacity 700 lbs
 Bearing Ball Bearing
 Axle .625"
 Box NO
 Wheel 10" x 2.75"
 Type Semi-Pneumatic
 Hub Steel Offset

THIS DRAWING IN ALL PARTICULARS IS WESCO MFG. CO. PROPERTY. ALL RIGHTS OF DESIGN, INVENTION OR USE OF ARE RESERVED.

PRINT ISSUED

JULY 16 2007

WESCO MANUFACTURING
ENGINEERING DEPARTMENT

R	W	S	APP
01-28-13			
C	UPDATED		

EDN & DATE	APP
REVISIONS	

WESCO MANUFACTURING CO.
 NORTH WALES PENNA. 19454

PART NAME

156DH-Z

DRAWN: PAP 3/3/95

CHECKED: EGK 3/9/95

APP. ENGR.

TOLERANCE UNLESS OTHERWISE SPECIFIED

FRACTION	3 PLACE DECIMAL	2 PLACE DECIMAL
$\pm \frac{1}{64}$	$\pm .005$	$\pm .01$

ANGULAR $\pm 1\text{--}1\frac{1}{2}'$	SHEET	OF
---------------------------------------	-------	----

BREAK ALL SHARP EDGES AND REMOVE ALL BURRS

SCALE: 8" = 1"

B- 210340 REV C