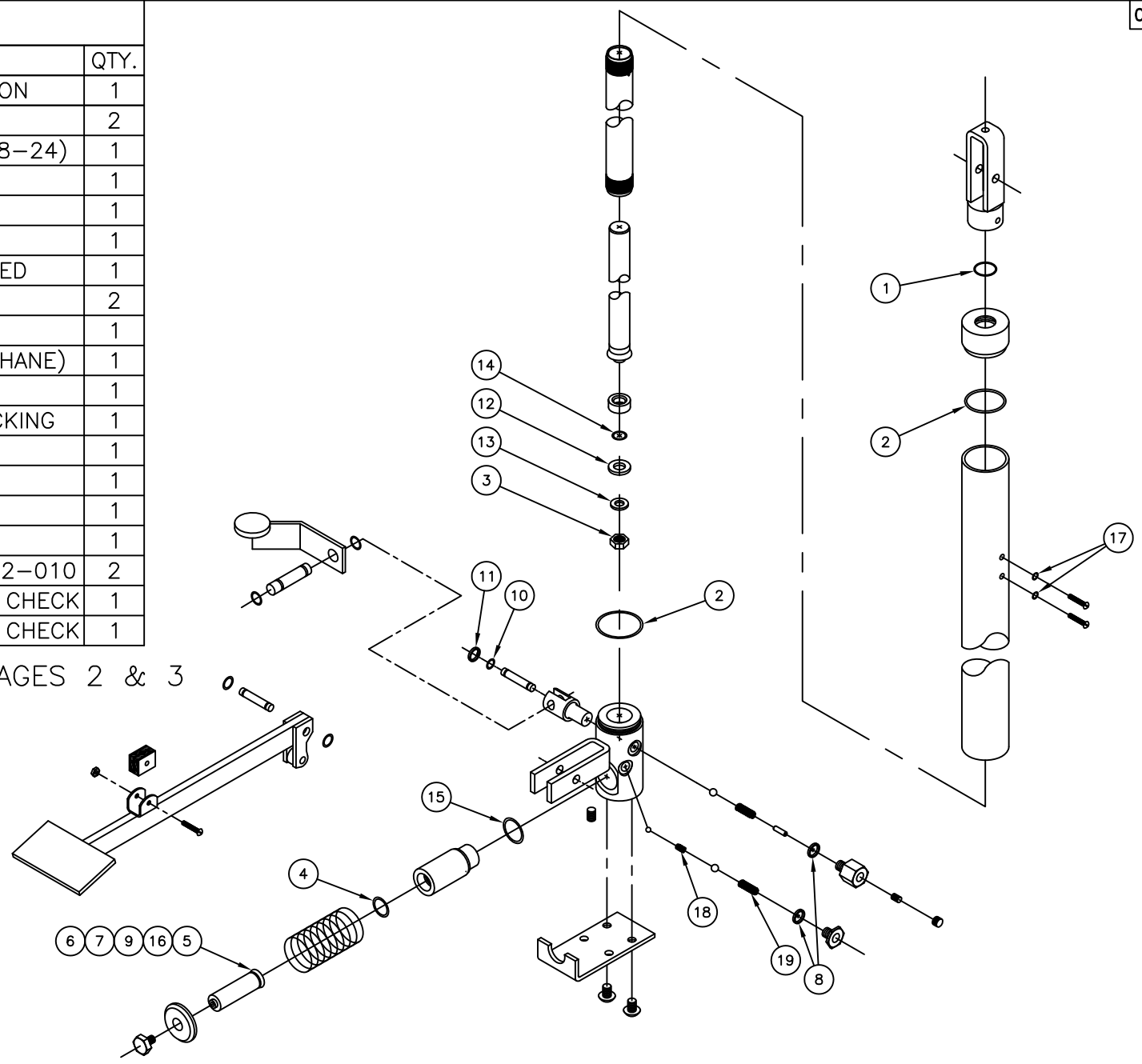


BILL OF MATERIAL

ITEM	PART NO.	DESCRIPTION	QTY.
1	100552	O-RING: MAIN PISTON	1
2	100555	O-RING: CYLINDER	2
3	100556	NUT: HEX JAM (3/8-24)	1
4	100564	O-RING, BUNA	1
5	051051	PISTON GUIDE	1
6	051053	WASHER	1
7	100558	SCR: RD HD SLOTTED	1
8	051059	SEALING RING	2
9	100560	U CUP	1
10	100561	O-RING (POLYURETHANE)	1
11	100562	O-RING (TEFLON)	1
12	100574	POLYURETHANE PACKING	1
13	051157	WASHER	1
14	100575	O-RING	1
15	051112	SEALING RING	1
16	100576	O RING	1
17	100071	O-RING: PARKER #2-010	2
18	100569	SPRING: 1/4 BALL CHECK	1
19	100570	SPRING: 3/8 BALL CHECK	1

NOTE: ITEMS DETAILED ON PAGES 2 & 3



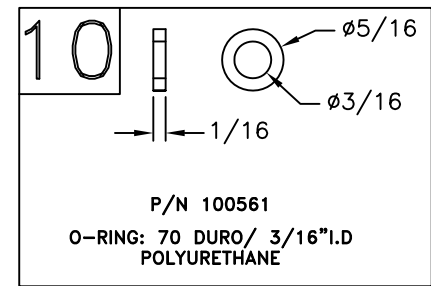
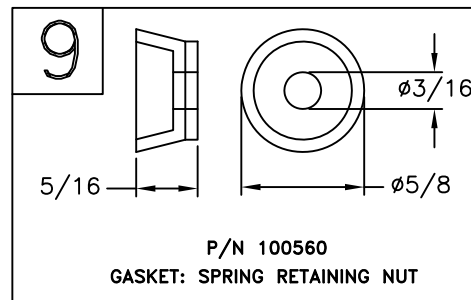
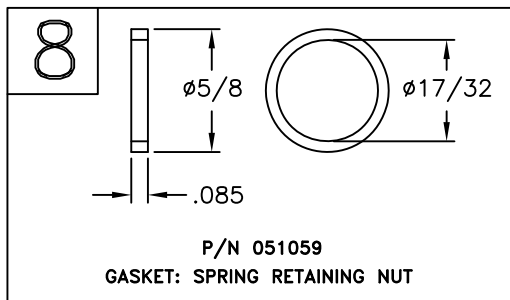
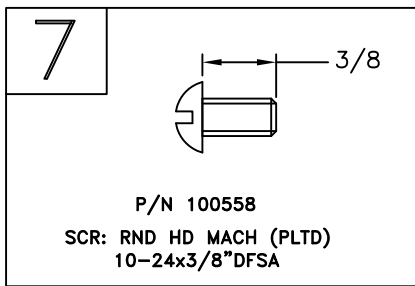
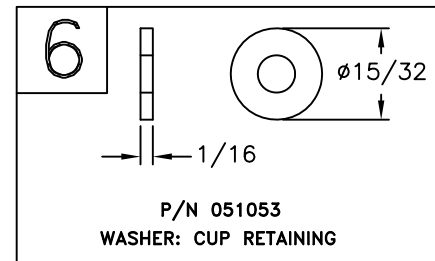
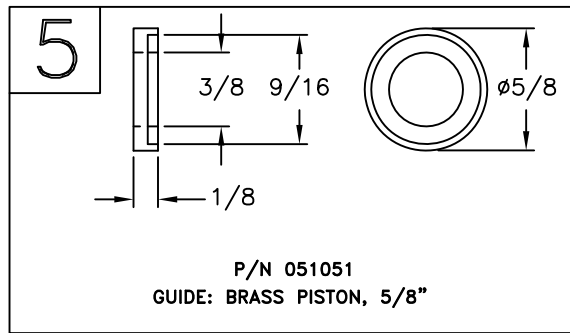
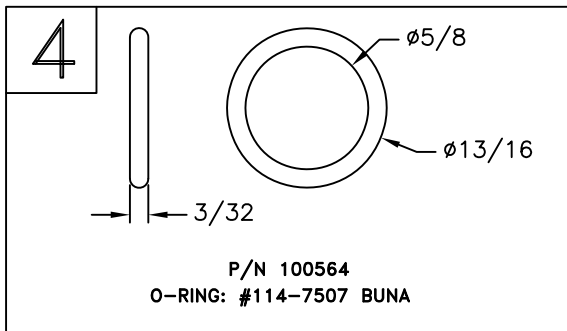
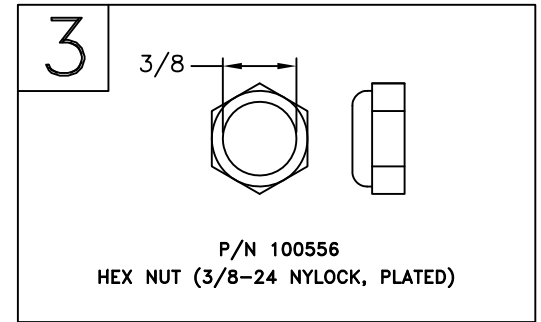
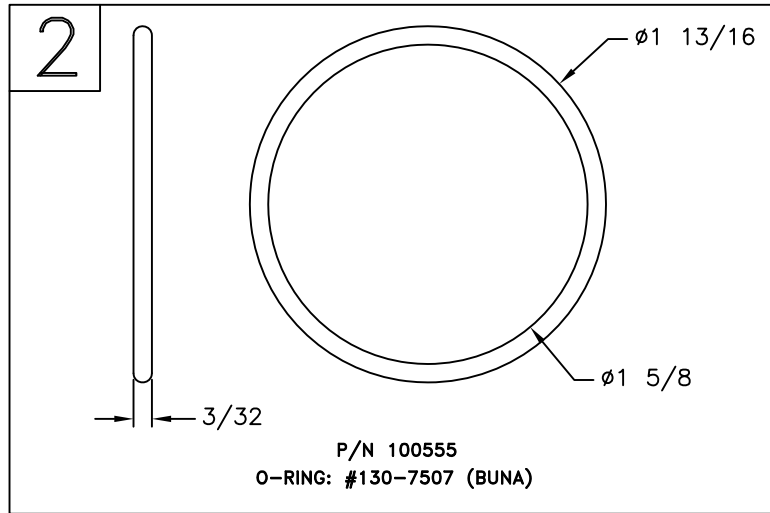
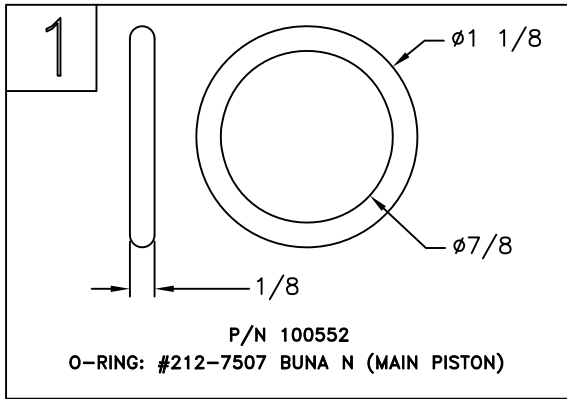
THIS DRAWING IN ALL PARTICULARS IS WESCO MFR. CO. PROPERTY. ALL RIGHTS OF DESIGN, INVENTION OR USE OF ARE RESERVED.

PRINT ISSUED
FEB 3 2000
WESCO MANUFACTURING
ENGINEERING DEPARTMENT

L	D	J	W	E	W
4173	2-3-00	UPDATE PICTURE:	051024	WIS 051597	051024
E	D	C	W	E	W

WESCO MANUFACTURING CO. NORTH WALES PENNA. 19454	
PART NAME 1000# SEAL KIT (STACKER)	DRAWN: WEW 7-28-98
TOLERANCE UNLESS OTHERWISE SPECIFIED	
FRACTION 3 PLACE DECIMAL ± 1/64 ± .005	2 PLACE DECIMAL ± .01
ANGULAR ± 1-1/2°	SHEET 1 OF 3
BREAK ALL SHARP EDGES AND REMOVE ALL BURRS	
SCALE: 1:8	C-052723 REV A

SEAL KIT COMPLETE BREAKDOWN PAGE 2



SEAL KIT COMPLETE BREAKDOWN PAGE 3

