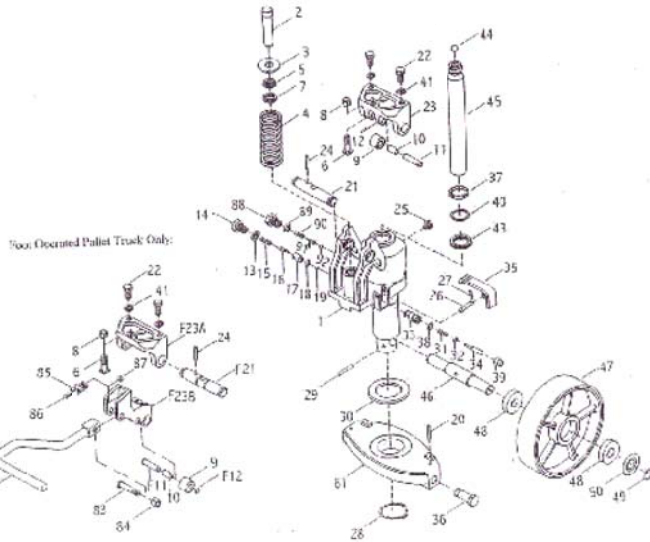


**DELUXE PALLET TRUCKS**

- 5 Year pump warranty
- 5,500 lbs capacity
- pump overload bypass
- rubber coated handle
- Adjustable fork tie rods
- Exit rollers
- 200° steering
- Tapered fork tips
- 8 gauge 6" wide reinforced forks



**Deluxe Foot Pump Model**

- 8" moldon polyurethane steering wheel.
- 3" moldon polyurethane load wheels.
- 8" raised height.
- 3" lowered height.
- 6" wide forks.

**P/N 272766**  
 Fork WxL: 27" x 48"  
 Weight: 170 lbs  
 Capacity: 5,500 lbs

**REPLACEMENT PARTS LIST**

ITEM	P/N	DESCRIPTION	QTY
51	270138	SPRING PIN	2
52	270581	SCREW	1
53	270257	27" TRUNION (OLD STYLE)	1
	270582	27" TRUNION (NEW STYLE)	1
54	270258	BUSHING	1
55	270575	27" PIVOT ROD	1
57	270272	SPRING PIN	1
58	270278	48" CONN. ROD (OLD STYLE)	2
	270584	48" CONN. ROD (NEW STYLE)	2
	270848	48" ADJUSTABLE TIE ROD	2
59	270263	LOAD WHEEL YOKE	1
60	270264	CONNECTING ROD PIN	1
61	270284	YOKE	1
62	270144	YOKE AXLE	1
63	270266	SPRING PIN	1
64	270273	BALL BEARING	4
65	270288	LOAD WHEEL	2
66	270145	LOAD WHEEL AXLE	1
67	270289	NYLON COVER	4
68A	270819	COATED HANDLE (SOLD IN 270411 HANDLE SET)	1
69		CONTROL LEVER (SOLD IN 270155 RELEASE ASSY)	1
70	270157	SPRING PIN	1
71		WIRE (SOLD IN 270155 RELEASE ASSY)	1
72		CHAIN COUPLING (SOLD IN 270155 RELEASE ASSY)	1
73	270148	NUT	1
93	270833	PIN	1
94	270834	ADJUST NUT	1
95	270835	ADJUST SCREW NUT	1
96	270821	EXIT ROLLER	1
*	270105	KIT: HANDLE BASE	1
*	270141	KIT: HANDLE	1
*	270155	KIT: HANDLE RELEASE ASS'Y	1
*	270158	KIT: SEAL	1

**REPLACEMENT PARTS LIST**

QTY	P/N	DESCRIPTION	QTY
1	270150	PUMP REPLACEMENT	1
2	270101	PLUNGER PISTON	1
3	270578	CAP WASHER	1
4	270102	SPRING	1
5		DUST SEAL (SOLD IN 270158 SEAL KIT)	1
6	270313	SCREW	1
7		CUP PACKING (SOLD IN 270158 SEAL KIT)	1
8	270236	JAM NUT	1
9	270631	ROLLER (SOLD IN 270105 HANDLE BASE KIT)	1
10	270632	BUSHING (SOLD IN 270105 HANDLE BASE KIT)	1
11		AXLE (SOLD IN 270105 HANDLE BASE KIT)	1
12		BALL (SOLD IN 270105 HANDLE BASE KIT)	1
13		PACKING (SOLD IN 270158 SEAL KIT)	1
** 14	270107	SCREW "OLD STYLE"	1
	270855	SCREW "NEW STYLE"	1
15		SPRING (SOLD IN 270158 SEAL KIT)	1
16	270109	VALVE CONE	1
17	270110	VALVE HOUSING	1
18		O-RING (SOLD IN 270158 SEAL KIT)	1
19		BALL (SOLD IN 270158 SEAL KIT)	1
20	270113	SPRING PIN	2
21	270114	AXLE	1
22	270115	BOLT/WASHER	3
23		HANDLE BASE (SOLD IN 270105 HANDLE BASE KIT)	1
24	270116	SPRING PIN	1
25	270117	OIL PLUG	1
26	270118	AXLE PIN	1
27	270119	PIN	1
28	270120	LOCKING RING	1
29	270121	SPRING PIN	1
30	270122	THRUST BEARING	1
31		SPRING (SOLD IN 270158 SEAL KIT)	1
32		O-RING (SOLD IN 270158 SEAL KIT)	1
33	270576	RELIEF CYLINDER	1
34	270125	RELEASE PISTON	1
35	270126	LOWERING ARM	1
36	270127	TABLE BOLT	2
37		DUST SEAL (SOLD IN 270158 SEAL KIT)	1
38	270268	O-RING	1
39	270267	PISTON BOOT	1
40		O-RING (SOLD IN 270158 SEAL KIT)	1
41	270115	BOLT/WASHER	2
42	270265	LOAD WHEEL AXLE PIN	1
43		O-RING (SOLD IN 270158 SEAL KIT)	1
44	270579	BALL, SMALL DIA. (OLD STYLE)	1
	270132	BALL	1
45	270133	RAM PISTON	1
46	270134	WHEEL SHAFT	1
47	270135	STEERING WHEEL	2
48	270273	BALL BEARING	4
49	270137	LOCKING RING	2
	270270	CAP (OLD STYLE)	2
50	270314	CAP (NEW STYLE)	2

**FOOT OPERATED PALLET TRUCK ONLY**

1	272759	HYDRAULIC PUMP	1
82	270248	FOOT PEDAL	1
83	270824	SCREW AXLE	1
84	270825	NUT	1
85	272768	SPRING CLIP	1
86	270826	SCREW AXLE	1
87	270827	NUT	1
88	270828	SCREW	1
89	270829	PACKING	1
90	270830	SPRING	1
91	270831	CONE	1
92	270832	BALL	1
F11	270822	AXLE	1
F12	270823	SNAP RING	1
F21	270175	AXLE	1
F23A	270252	HANDLE BASE	1
F23B	270250	FOOT PEDAL BASE	1

\*\* ITEM 14 "OLD STYLE" FOR UNITS RECEIVED BEFORE 11/14/14 AND THE "NEW STYLE" IS FOR ANY UNITS RECEIVED AFTER 11/14/14.

PRINT ISSUED

DEC 15, 2006

WESCO MANUFACTURING  
ENGINEERING DEPARTMENT

THIS DRAWING IS THE PROPERTY OF WESCO INDUSTRIAL PRODUCTS INC. ALL RIGHTS OF DESIGN, INVENTION OR USE OF ARE RESERVED.

**WESCO INDUSTRIAL PRODUCTS INC.**  
NORTH WALES, PENNSA. 19454

REV. NO.	Deluxe Foot Pump Model	DATE
REVISIONS	Pallet Series	CHG. BY
	TOLERANCES UNLESS OTHERWISE SPECIFIED	APP. BY
	FINISHES & PLATE SYMBOLS	SCALE
	ASSEMBLY & 1-1/2" 1 SHEET OF 1	DRG. NO. D-272766